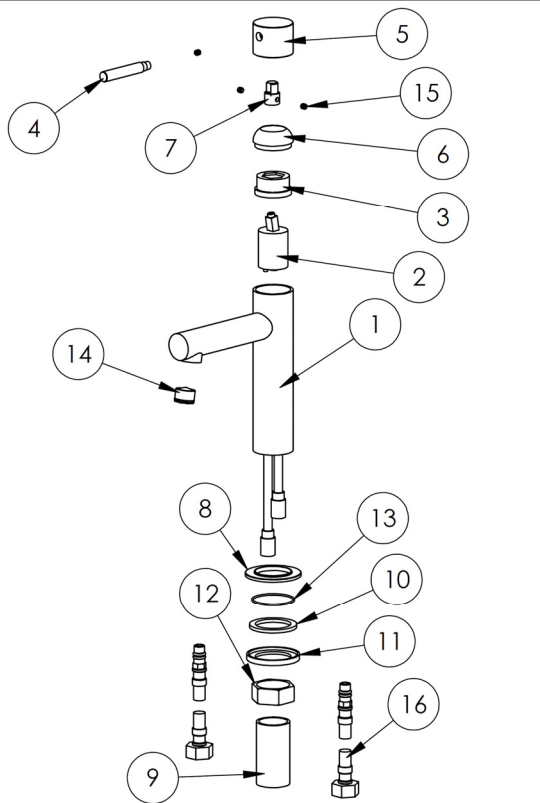
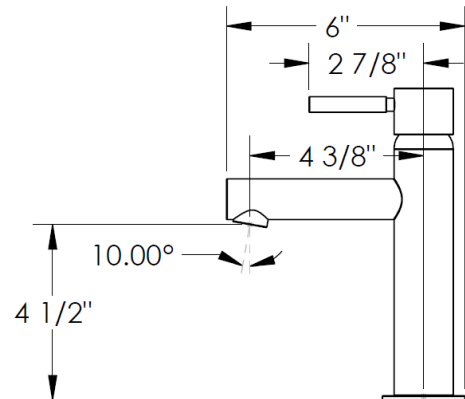
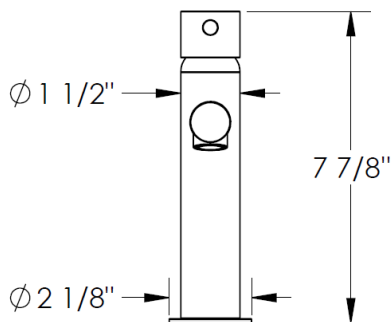


Specifications:



ITEM NO.	PART NUMBER	QTY.
1	SYD-1.15-SPT	1
2	SYD-1.15-CTRГ	1
3	SYD-1.15-CTRГ-LOCK-NUT	1
4	SYD-1.15-HNDL-LVR	1
5	SYD-1.15-TOP	1
6	SYD-1.15-DOME-CAP	1
7	SYD-1.15-CTRГ-ADAP	1
8	SYD-1.15-BASE-RING	1
9	SPT-MNTNG-KIT-MONOBLOCK-NPPL	1
10	SPT-MNTNG-KIT-SYD-RBBR-WSHR	1
11	SPT-MNTNG-KIT-SYD-BRSS-WSHR	1
12	SPT-MNTNG-KIT-SYD-LOCK-NUT	1
13	AS568 - 029	1
14	Cache PCA TJ - 1.5 GPM	1
15	SSCUPSKT 0.19-32x0.1875-HX-S	3
16	SYD-1.15-HOSE	2



IMPORTANT INSTALLATION INFORMATION

- USE TEFLON TAPE OR PIPE SEALANT FOR THREADED CONNECTIONS
- DO NOT USE PLUMBER'S PUTTY ON ANY OF THE BRASS COMPONENTS
This will cause the finish to tarnish and void the warranty. A non-corrosive Alkoxy Silicone is recommended.
- DURING SWEATING OF LINES DO NOT OVERHEAT CASTING
Overheating may cause damage to internal mechanism
- COPPER ADAPTORS MAY BE REQUIRED TO COMPLETE YOUR INSTALLATION

For technical support, please call 718-257-2800

